

## Analogue Bore Gauges

**Bowers XT Analogue Bore Gauges** are an economical solution to accurate shop-floor bore measurement. The extended mechanical travel of these advanced two or three point gauges ensures that exchanging measuring anvils is now unnecessary. Their wide application range, 2 - 300mm, rugged construction and easy read scale, ensure both accuracy and ease of use. XT measuring heads and setting rings are supplied with UKAS certification.



### Features

- Range 2 - 300mm (0.080" – 12")
- 2 - 6mm 2 point/ 6 - 300mm 3 point measurement
- Graduation 2 - 6mm: 0.001mm, 6 - 300mm: 0.005mm
- Tungsten carbide measuring faces on all 3-point heads from 12.5mm
- Blind bore measurement from 2mm - 6mm and above 12.5mm (0.500")
- Extensions available above 6mm for deep hole measurement
- Ratchet stop to ensure consistent measurement
- Setting rings included with individual instruments and sets
- UKAS certificates supplied as standard with all setting rings
- UKAS certificate supplied as standard with all XT mechanical micrometers
- Serial number on all gauges
- Bore gauges manufactured according to DIN 863, part 4
- Supplied in fitted wooden case

### XT ANALOGUE SETS

Range	Measuring Heads	Setting Rings
2 - 3mm	2	1
3 - 6mm	3	2
6 - 10mm	2	1
10 - 20mm	3	2
20 - 50mm	3	2
50 - 100mm	3	2
100 - 150mm	2	1
150 - 200mm	2	1

## Analogue Bore Gauges

### TECHNICAL SPECIFICATIONS: Individual instruments supplied with setting ring

Code No	Range (mm)	Price (£)	Code No	Range (inch)	Price (£)	Accuracy (mm)	Accuracy (inch)	Depth (mm)	Depth (inch)	Setting Ring (mm)	Setting Ring (inch)
XTA1M	2 - 2.5	£439.50 C	XTA1i	0.080 - 0.100	£439.50 C	0.004	0.00015	9	0.35	2.50	0.1000
XTA2M	2.5 - 3	£439.50 C	XTA2i	0.100 - 0.120	£439.50 C	0.004	0.00015	9	0.35	2.50	0.1000
XTA3M	3 - 4	£393.50 C	XTA3i	0.120 - 0.160	£393.00 C	0.004	0.00015	12	0.47	4.00	0.1600
XTA4M	4 - 5	£393.50 C	XTA4i	0.160 - 0.200	£386.00 C	0.004	0.00015	18	0.70	4.00	0.1600
XTA5M	5 - 6	£393.50 C	XTA5i	0.200 - 0.250	£393.50 C	0.004	0.00015	18	0.70	5.00	0.2000
XTA6M	6 - 8	£182.50 C	XTA6i	1/4 - 5/16	£182.50 C	0.004	0.00015	58	2.28	8.00	0.312
XTA8M	8 - 10	£189.50 C	XTA8i	5/16 - 3/8	£189.50 C	0.004	0.00015	58	2.28	8.00	0.312
XTA10M	10 - 12.5	£189.50 C	XTA10i	3/8 - 1/2	£189.50 C	0.004	0.00012	58	2.28	12.50	0.500
XTA12M	12.5 - 16	£189.50 C	XTA12i	1/2 - 5/8	£189.50 C	0.004	0.00015	62	2.44	12.50	0.500
XTA16M	16 - 20	£193.50 C	XTA16i	5/8 - 3/4	£193.50 C	0.004	0.00015	62	2.44	20.00	0.750
XTA20M	20 - 25	£211.00 C	XTA20i	3/4 - 1	£211.00 C	0.004	0.00015	66	2.62	20.00	0.750
XTA25M	25 - 35	£303.50 C	XTA25i	1 - 1 3/8	£303.50 C	0.004	0.00015	66	2.62	35.00	1.375
XTA35M	35 - 50	£309.00 C	XTA35i	1 3/8 - 2	£309.00 C	0.004	0.00015	80	3.15	35.00	1.375
XTA50M	50 - 65	£368.00 C	XTA50i	2 - 2 5/8	£368.00 C	0.005	0.00020	80	3.15	65.00	2.625
XTA65M	65 - 80	£368.00 C	XTA65i	2 5/8 - 3 1/4	£368.00 C	0.005	0.00020	80	3.15	65.00	2.625
XTA80M	80 - 100	£467.00 C	XTA80i	3 1/4 - 4	£467.00 C	0.005	0.00020	100	3.94	80.00	3.250
XTA100M	100 - 125	£470.00 C	XTA100i	4 - 5	£470.00 C	0.006	0.00025	115	4.53	125.00	5.000
XTA125M	125 - 150	£542.00 C	XTA125i	5 - 6	£542.00 C	0.006	0.00025	115	4.53	125.00	5.000
XTA150M	150 - 175	£697.50 C	XTA150i	6 - 7	£697.50 C	0.007	0.00030	115	4.53	175.00	7.000
XTA175M	175 - 200	£797.50 C	XTA175i	7 - 8	£797.50 C	0.007	0.00030	115	4.53	175.00	7.000
XTA200M	200 - 225	£826.00 C	XTA200i	8 - 9	£826.00 C	0.008	0.00030	118	4.65	225.00	9.000
XTA225M	225 - 250	£852.50 C	XTA225i	9 - 10	£852.50 C	0.008	0.00030	118	4.65	225.00	9.000
XTA250M	250 - 275	£930.00 C	XTA250i	10 - 11	£930.00 C	0.009	0.00035	118	4.65	275.00	11.000
XTA275M	275 - 300	£970.00 C	XTA275i	11 - 12	£970.00 C	0.009	0.00035	118	4.65	275.00	11.000

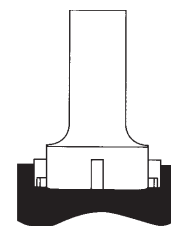
### SETS

Range (mm)	Code No	Price (£)	Range (inch)	Code No	Price (£)
2 - 3	SXTA1M	£800.50 C	0.080 - 0.120	SXTA1i	£800.50 C
3 - 6	SXTA2M	£1,082.00 C	0.120 - 0.250	SXTA2i	£1,082.00 C
6 - 10	SXTA3M	£345.00 C	1/4 - 3/8	SXTA3i	£345.50 C
10 - 20	SXTA4M	£514.00 C	3/8 - 3/4	SXTA4i	£514.00 C
20 - 50	SXTA5M	£807.50 C	3/4 - 2	SXTA5i	£807.50 C
50 - 100	SXTA6M	£1,098.50 C	2 - 4	SXTA6i	£1,098.50 C
100 - 150	SXTA7M	£805.00 C	4 - 6	SXTA7i	£805.00 C
150 - 200	SXTA8M	£1,168.50 C	6 - 8	SXTA8i	£1,168.50 C



### EXTENSIONS

Code No	Length (mm)	(inch)	To Fit Heads (mm)	(inch)	Price (£)
EGX 0200	63	2.5	6 - 10	1/4 - 3/8	£59.00 Q
EGX 0400	76	3.0	10 - 12.5	3/8 - 1/2	£59.00 Q
EGX 0500	100	4.0	12.5 - 20	1/2 - 3/4	£59.00 Q
EGX 0001	150	6.0	20 - 50	3/4 - 2	£87.50 Q
EGX 0004	150	6.0	50 - 300	2 - 12	£94.50 Q



Blind Bore measuring above 12.5mm diameter (0.500")

## Digital Bore Gauges

**Bowers XT Digital Xtreme** internal micrometers give the operator the advantage of traditional quality ratchet gauges allied to advanced IP65 electronics. The extended mechanical travel of the XT range means that special heads can also be manufactured to accommodate users most awkward measuring problems. Measuring heads for threads, splines slots, grooves, deep-holes and many more applications are available on request. For applications please see pages 14-19.

The Bowers XT range of internal micrometers can be supplied as individual instruments or in complete sets. All XT instruments give the user the advantage of extended measuring travel with fixed anvils and UKAS certification of both measuring head and setting ring as standard.



### XT DIGITAL XTREME SETS

Range (mm)	Measuring Heads	Setting Rings
2 - 6	5	3
6 - 10	2	1
10 - 20	3	2
20 - 50	3	2
50 - 100	3	2
100 - 150	2	1
150 - 200	2	1
100 - 200	4	2

### Features

- IP65 Electronics
- Simple 2-button operation
- Large easy-to-read display
- 3 preset memories
- RS-232C output
- Range 2 – 300 mm (0.080" – 12")
- 2 – 6mm 2 point / 6 – 300mm 3 point measurement
- Resolution 0.001mm / 0.00005"
- Tungsten carbide measuring faces on all 3-point heads from 12.5mm
- Blind bore measurement from 2mm – 6mm and above 12.5 mm (0.500")
- Extensions available above 6mm
- Ratchet stop to ensure consistent measurement
- Setting rings included with individual instruments and sets
- UKAS certificates supplied as standard with all setting rings
- UKAS certificates supplied as standard with all gauges
- Serial number on all digital readouts and measuring heads
- Heads with special anvils available to suit specific customer requirements (e.g. threads, grooves, 2-point, spherical, splines etc)  
For applications please see pages 14-19
- Bore gauges manufactured according to DIN 863, part 4
- Supplied in fitted case

## Digital Bore Gauges

**TECHNICAL SPECIFICATIONS:** Individual instruments supplied with digital display unit, head and ring

Code No	Range (mm)	Price (£)		Accuracy (mm)	Depth (mm)	Setting Ring (mm)	Price (£)	
XTD1M	2 - 2.5	£655.50	Q	0.004	9	2.50	£73.00	C
XTD2M	2.5 - 3	£655.50	Q	0.004	9	2.50	£73.00	C
XTD3M	3 - 4	£655.50	Q	0.004	12	4.00	£73.00	C
XTD4M	4 - 5	£655.50	Q	0.004	18	4.00	£73.00	C
XTD5M	5 - 6	£655.50	Q	0.004	18	5.00	£73.00	C
XTD6M	6 - 8	£589.50	Q	0.004	58	8.00	£51.00	C
XTD8M	8 - 10	£589.50	Q	0.004	58	8.00	£51.00	C
XTD10M	10 - 12.5	£589.50	Q	0.004	58	12.50	£51.00	C
XTD12M	12.5 - 16	£603.00	Q	0.004	62	12.50	£51.00	C
XTD16M	16 - 20	£603.50	Q	0.004	62	20.00	£65.00	C
XTD20M	20 - 25	£834.00	Q	0.004	66	20.00	£65.00	C
XTD25M	25 - 35	£834.00	Q	0.004	66	35.00	£72.00	C
XTD35M	35 - 50	£915.00	Q	0.004	80	35.00	£72.00	C
XTD50M	50 - 65	£964.50	Q	0.005	80	65.00	£91.50	C
XTD65M	65 - 80	£946.00	Q	0.005	80	65.00	£91.50	C
XTD80M	80 - 100	£1,017.50	Q	0.005	100	80.00	£98.50	C
XTD100M	100 - 125	£987.00	Q	0.006	115	125.00	£148.50	C
XTD125M	125 - 150	£1,095.00	Q	0.006	115	125.00	£148.50	C
XTD150M	150 - 175	£1,197.00	Q	0.007	115	175.00	£191.50	C
XTD175M	175 - 200	£1,272.50	Q	0.007	115	175.00	£191.50	C
XTD200M	200 - 225	£1,184.00	Q	0.008	118	225.00	£328.00	C
XTD225M	225 - 250	£1,306.50	Q	0.008	118	225.00	£328.00	C
XTD250M	250 - 275	£1,353.50	Q	0.009	118	275.00	£357.00	C
XTD275M	275 - 300	£1,479.00	Q	0.009	118	275.00	£357.00	C

**SETS** Supplied with digital display unit, heads and rings

Code No	Range (mm)	Price (£)	
SXTD1M	2 - 6	£1,982.50	Q
SXTD3M	6 - 10	£816.00	Q
SXTD4M	10 - 20	£986.00	Q
SXTD5M	20 - 50	£1,358.50	Q
SXTD6M	50 - 100	£1,508.50	Q
SXTD7M	100 - 150	£1,258.50	Q
SXTD8M	150 - 200	£1,744.00	Q
SXTD9M	100 - 200	£2,794.50	Q



### DEPTH STOP

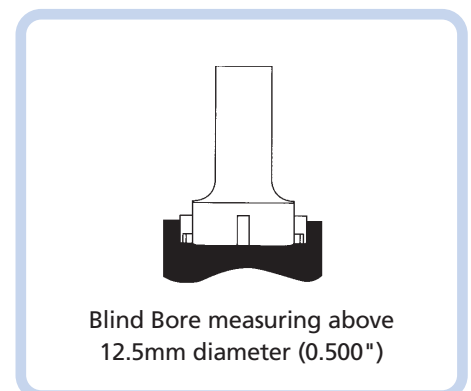
Code No	Range (mm)	Price (£)	
DSTOP01	2 - 6	£37.50	Q

### EXTENSIONS

Code No	Length (mm)	(inch)	To Fit Heads (mm)	(inch)	Price (£)	
EGX 0200	63	2.5	6 - 10	1/4 - 3/8	£59.00	Q
EGX 0400	76	3.0	10 - 12.5	3/8 - 1/2	£59.00	Q
EGX 0500	100	4.0	12.5 - 20	1/2 - 3/4	£59.00	Q
EGX 0001	150	6.0	20 - 50	3/4 - 2	£87.50	Q
EGX 0004	150	6.0	50 - 300	2 - 12	£94.50	Q

### CABLE

Code No	Description	Price (£)	
30-905-4516	Data Output Cable	£60.00	I



## Digital Pistol Grip Bore Gauge

**Bowers XT Holematic Xtreme** bore gauge incorporates an ergonomic pistol grip handle with an advanced trigger action, giving the user the advantages of both speed of operation and a constant measuring pressure. The clear digital display, superior IP65 electronics and application range of 2 to 300mm ensures ease of use and assured accuracy. For applications please see pages 14-19.

The XT Holematic pistol grip range of bore gauges can be supplied as individual instruments or in complete sets. All XT instruments give the user the advantage of extended measuring travel with fixed anvils and UKAS certification of both measuring head and setting ring as standard.



### Features

- IP65 Electronics
- Simple 2-button operation
- Large easy-to-read swivel display
- 3 preset memories
- RS - 232C output
- Self-centring heads
- Constant measuring pressure
- Fast, accurate measurement
- Range 2 – 300mm (0.080" – 12")
- 2 – 6mm 2 point / 6 – 300mm 3 point measurement
- Resolution 0.001mm (0.00005")
- Tungsten carbide measuring faces on all 3-point heads from 12.5mm
- Blind bore measurement from 2mm – 6mm and above 12.5mm (0.500")
- Extensions available above 6mm
- Setting rings included with individual instruments and sets
- UKAS certificates supplied as standard with all setting rings
- UKAS certificates supplied as standard with all pistol grip gauges
- Serial number on all gauges and measuring heads
- Heads with special anvils available to suit specific customer requirements (e.g. threads, grooves, 2-point, spherical, splines etc) For applications please see pages 14-19
- Bore gauges manufactured according to DIN 863, part 4
- Supplied in fitted case

### XT DIGITAL XTREME SETS

Range (mm)	Measuring Heads	Setting Rings
2 - 6	5	3
6 - 10	2	1
10 - 20	3	2
20 - 50	3	2
50 - 100	3	2
100 - 150	2	1
150 - 200	2	1
100 - 200	4	2



## Digital Pistol Grip Bore Gauge

**TECHNICAL SPECIFICATIONS** Individual instruments supplied with digital pistol grip, head and ring

Code No	Range (mm)	Price (£)	Accuracy (mm)	Depth (mm)	Setting Ring (mm)	Price (£)	
XTH1M	2 - 2.5	£692.50	Q 0.004	9	2.50	£73.00	C
XTH2M	2.5 - 3	£692.50	Q 0.004	9	2.50	£73.00	C
XTH3M	3 - 4	£692.50	Q 0.004	12	4.00	£73.00	C
XTH4M	4 - 5	£692.50	Q 0.004	18	4.00	£73.00	C
XTH5M	5 - 6	£692.50	Q 0.004	18	5.00	£73.00	C
XTH6M	6 - 8	£692.50	Q 0.004	58	8.00	£51.00	C
XTH8M	8 - 10	£680.00	Q 0.004	58	8.00	£51.00	C
XTH10M	10 - 12.5	£718.00	Q 0.004	58	12.50	£51.00	C
XTH12M	12.5 - 16	£727.00	Q 0.004	62	12.50	£51.00	C
XTH16M	16 - 20	£727.00	Q 0.004	62	20.00	£65.00	C
XTH20M	20 - 25	£823.00	Q 0.004	66	20.00	£65.00	C
XTH25M	25 - 35	£893.50	Q 0.004	66	35.00	£72.00	C
XTH35M	35 - 50	£915.50	Q 0.004	80	35.00	£72.00	C
XTH50M	50 - 65	£941.00	Q 0.005	80	65.00	£91.50	C
XTH65M	65 - 80	£939.00	Q 0.005	80	65.00	£91.50	C
XTH80M	80 - 100	£1,001.50	Q 0.005	100	80.00	£98.50	C
XTH100M	100 - 125	£1,048.50	Q 0.006	115	125.00	£148.50	C
XTH125M	125 - 150	£1,111.50	Q 0.006	115	125.00	£146.50	C
XTH150M	150 - 175	£1,177.00	Q 0.007	115	175.00	£191.50	C
XTH175M	175 - 200	£1,228.00	Q 0.007	115	175.00	£191.50	C
XTH200M	200 - 225	£1,242.00	Q 0.008	118	225.00	£322.00	C
XTH225M	225 - 250	£1,370.50	Q 0.008	118	225.00	£322.00	C
XTH250M	250 - 275	£1,420.50	Q 0.009	118	275.00	£350.00	C
XTH275M	275 - 300	£1,567.50	Q 0.009	118	275.00	£350.00	C

### EXTENSIONS

Code No	Length (mm)	(inch)	To Fit Heads (mm)	(inch)	Price (£)	
EGX 0200	63	2.5	6 - 10	1/4 - 3/8	£59.00	Q
EGX 0400	76	3.0	10 - 12.5	3/8 - 1/2	£59.00	Q
EGX 0500	100	4.0	12.5 - 20	1/2 - 3/4	£59.00	Q
EGX 0001	150	6.0	20 - 50	3/4 - 2	£87.50	Q
EGX 0004	150	6.0	50 - 300	2 - 12	£94.50	Q

**SETS** Supplied with digital display unit, heads and rings

Range (mm)	Code No	Price (£)	
2 - 6	SXTH1M	£2,159.00	Q
6 - 10	SXTH3M	£827.00	Q
10 - 20	SXTH4M	£997.50	Q
20 - 50	SXTH5M	£1,305.50	Q
50 - 100	SXTH6M	£1,460.50	Q
100 - 150	SXTH7M	£1,305.50	Q
150 - 200	SXTH8M	£1,744.00	Q

**LARGE SETS** Supplied with digital pistol grip, heads and rings

Range (mm)	Code No	Price (£)	
6 - 20	SXTH10M	£1,292.00	Q
20 - 100	SXTH11M	£2,414.00	Q
100 - 200	SXTH9M	£2,794.50	Q

### CABLE

Code No	Description	Price (£)	
30-905-4516	Data Output Cable	£60.00	I



## 3 Point Digital Bore Gauging with Indicator

Complies with DIN 863 pt4

Bowers **Three Point Digital Bore Gauges** are manufactured to the highest quality standards.

### Features include:

- Measurement range from 6 - 100mm / 1/4 - 4"
- Ergonomically designed pistol grip body
- LCD display unit with rotating display for easy reading at any angle
- Functions include 2 pre-set memories, tolerance indicator lights and mm / inch conversion
- RS232 data output facility
- Self centring measuring heads with tungsten carbide contact points
- Setting rings provided with each instrument complete with UKAS certification
- Blind bore measurement on all instruments above 12.5mm / 1/2"
- Available as individual instruments or boxed sets
- Diameter above 100mm available on request
- Prices include setting rings
- Accepts any 8mm indicator or transducer



Note: Digital Indicator with direct mm/inch conversion.

### BOXED SETS 3 POINT DIGITAL BORE GAUGES

Measuring Range (mm)	Max bore depth (mm)	Accuracy (mm)	Cat. No.	Price (£)	
6 - 10	58	0.004	MWS610D	£937.00	Q
10 - 20	62	0.004	MWS1020D	£1,108.00	Q
20 - 50	66	0.004	MWS2050D	£1,450.00	Q
50 - 100	82	0.005	MWS50100D	£1,622.00	Q
6 - 20	58 - 62	0.004	MWS620D	£1,436.00	Q
20 - 100	66 - 82	0.005	MWS20100D	£2,682.50	Q